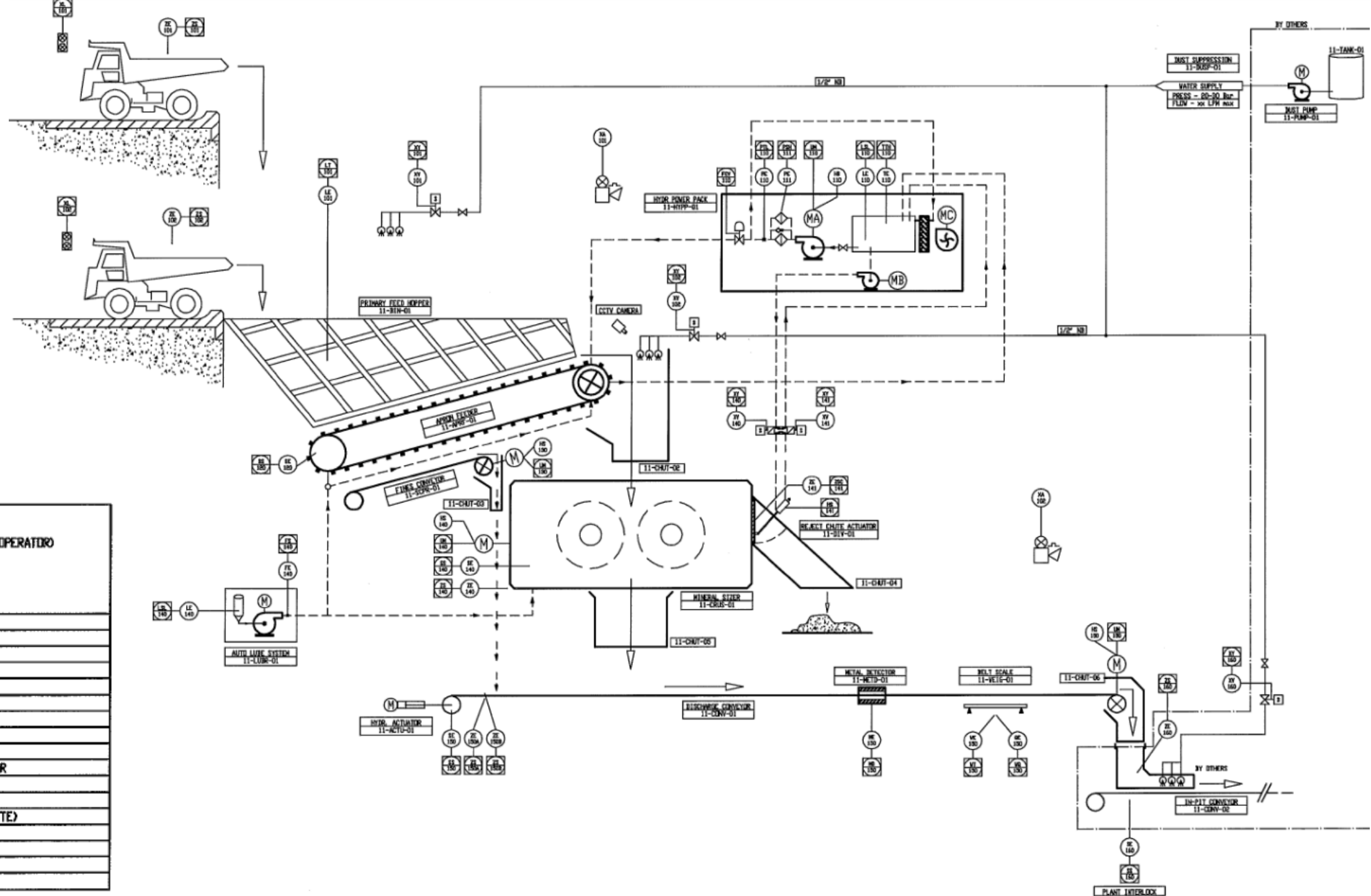


24	OVERLAND CONVEYOR			
23	5F CRAWEL BEAM CRANE			
22	TRAFFIC LIGHT			
21	TRANSFORMER		2950	
20	SIZER CHUTE	SA801 1014	6120	
19	REJECT CHUTE	SA801 1012	2910	
18	FINES CHUTE	SA801 1015	1209	
17	FEEDER FRAME	SA801 1013	6006	
16	HOPPER SUPPORT STRUCTURE	SA801 1003	49229	
15	WALKWAYS AND STAIRS		14263	
14	SIZER SUPPORT STRUCTURE	SA801 1004	57869	
13	CONVEYOR HEAD CHUTE	SA801 1010	2450	
12	CONVEYOR ASSEMBLY	SA801 1005	40500	
11	HYDRAULIC POWER PACK		2500	
10	E HOUSE SUPPORT STRUCTURE	SA 801 1007	16665	
9	E HOUSE ASSEMBLY		4250	
8	OPERATORS CAB		2200	
7	SIZER HOOD ASSEMBLY	SA801 1006	7220	
6	MYD SIZER		94000	
5	FINES CONVEYOR		4506	
4	MYD D7 FEEDER		51000	
3	HOPPER ASSEMBLY	SA801 1002	58981	
2	RIGHT BRIDGE	SA801 1001	55730	
1	LEFT BRIDGE	SA 801 1001	55730	
PC NO	PARTNAME	REV DRAWNG	WE GHT kg	QTY



LEGEND

SCADA DISPLAY
(NORMALLY ACCESSIBLE TO OPERATOR)

LOCAL OR FIELD
MOUNTED DEVICE

SYMBOL	DESCRIPTION
	FCV FLOW CONTROL VALVE
	HS HAND SWITCH
	LS LEVEL SWITCH
	LT LEVEL TRANSMITTER
	MD METAL DETECTOR
	PS PRESSURE SWITCH
	PT PRESSURE TRANSMITTER
	SS SPEED SWITCH
	TT TEMPERATURE TRANSMITTER
	UM MCC STARTER
	VQ WEIGHT - QUANTITY
	VT WEIGHT TRANSMITTER (RATE)
	XA AUDIBLE ALARM/BEACON
	XL INDICATION LIGHT
	XY SOLENOID VALVE
	ZS POSITION SWITCH